

ASGB5XXJ-X

Swing Turnstile



- DC motor ensures fast and stable operation of the swing turnstile
- The stainless steel turnstile cabinet is 1.5 mm thick
- Support power-on self test and swing barrier origin settings
- When several unlock requests occur almost at the same time, the barrier will not be unlocked until the last person has passed the turnstile
- The motor module is waterproof
- Lock delay duration are adjustable; anti-intrusion, anti-pinch, anti-trailing, and anti-climbing
- Support nine passage control modes
- Support intrusion alarm (entering and exiting), stay overtime alarm, trailing alarm, climbing turnstile alarm, unlock anomaly alarm, and more; when alarms are triggered, the indicator light will flash in red
- Support QR code recognition modules, face recognition modules, and more (you need to purchase these modules separately).

Technical Specification

Basic

Motor	Brushed DC motor
Detection	10 pairs of IR detectors

Function

Anti-collision	Yes
Memorizing	Yes
Anti-trailing	Yes
Second Unlock	Yes
Climbing Alarm	Yes
Anti-pinch	Yes
Stay Overtime Alarm	Yes
Intrusion Alarm	Yes

Performance

Unlock/Lock Speed	1.0 s, adjustable
Auto Lock Duration	5 s
Maximum Waterproof Depth	18 cm
Lock Delay Duration	0 s–60 s, adjustable
Lifespan	3 million times

Passing Frequency	20 people/minute–30 people/minute
Passage Width	Standard: 600 mm; the maximum custom passage width: 1100 mm

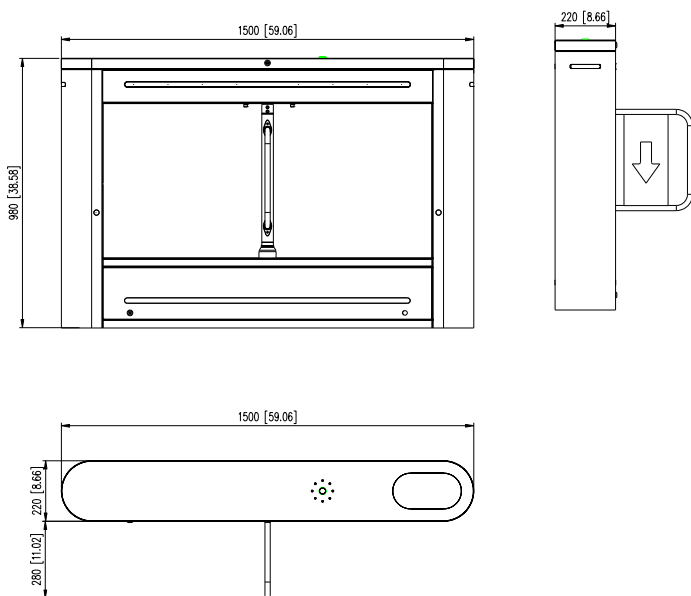
General

Net Weight	One-motor module turnstile: 70 kg (154.32 lb) two-motor module turnstile: 120 kg (264.55 lb)
Gross Weight	One-motor module turnstile: 95 kg (209.44 lb) two-motor module turnstile: 145 kg (319.67 lb)
Casing Material	Wooden case
Power Supply	AC 100V-240V, 50/60Hz
Power Consumption	One-motor module turnstile: 50 W; two-motor module turnstile: 100 W
Operating Temperature	-30°C to +70°C (-22°F to +158°F)(When operating temperature is below 0°C, heating module is needed.)
Operating Humidity	10%RH–90%RH
Operating Environment	Indoor and outdoor
Product Dimensions	1500 mm × 220 mm × 980 mm (59.06" × 8.66" × 38.58")
Surface Polishing	Wire drawing with oil
Cabinet Material	SUS304 1.2 mm
Cabinet Cover Material	SUS304 1.5 mm
Certifications	CE, FCC

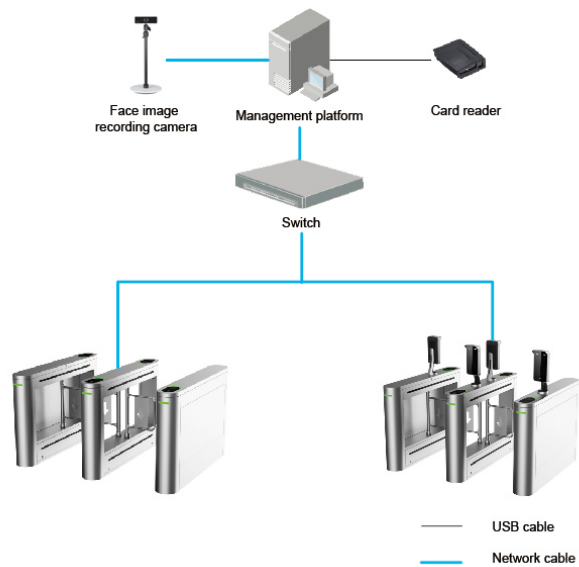
Ordering Information

Type	Model	Description
Swing turnstile	DHI-ASGB510J-L	Swing turnstile-DHI-ASGB510J-L
Swing turnstile	DHI-ASGB520J-D	Swing turnstile-DHI-ASGB520J-D
Swing turnstile	DHI-ASGB510J-R	Swing turnstile-DHI-ASGB510J-R
Swing turnstile	DHI-ASGB511J-L	Swing turnstile-DHI-ASGB511J-L
Swing turnstile	DHI-ASGB521J-D	Swing turnstile-DHI-ASGB521J-D
Swing turnstile	DHI-ASGB522J-D	Swing turnstile-DHI-ASGB522J-D
Swing turnstile	DHI-ASGB511J-R	Swing turnstile-DHI-ASGB511J-R

Dimensions (mm[inch])



Application



Distribuito da

PAMITRON
see the world